

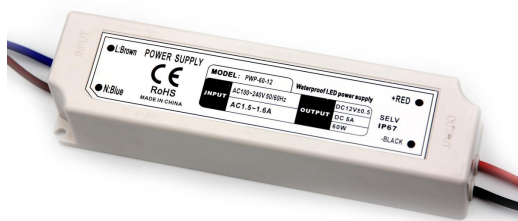
(Dimension)

L:160 mm

W:41 mm

H:32mm

Weight: 0.38Kg


CE  **IP67**
■Applications

- .Industrial automation machinery
- .Mechanical,electrical equipment
- .IT communication equipment
- .Fully isolated plastic case
- .Aging equipment
- .LED strips lighting
- .Indoor and outdoor
- .IP67 LEVEL

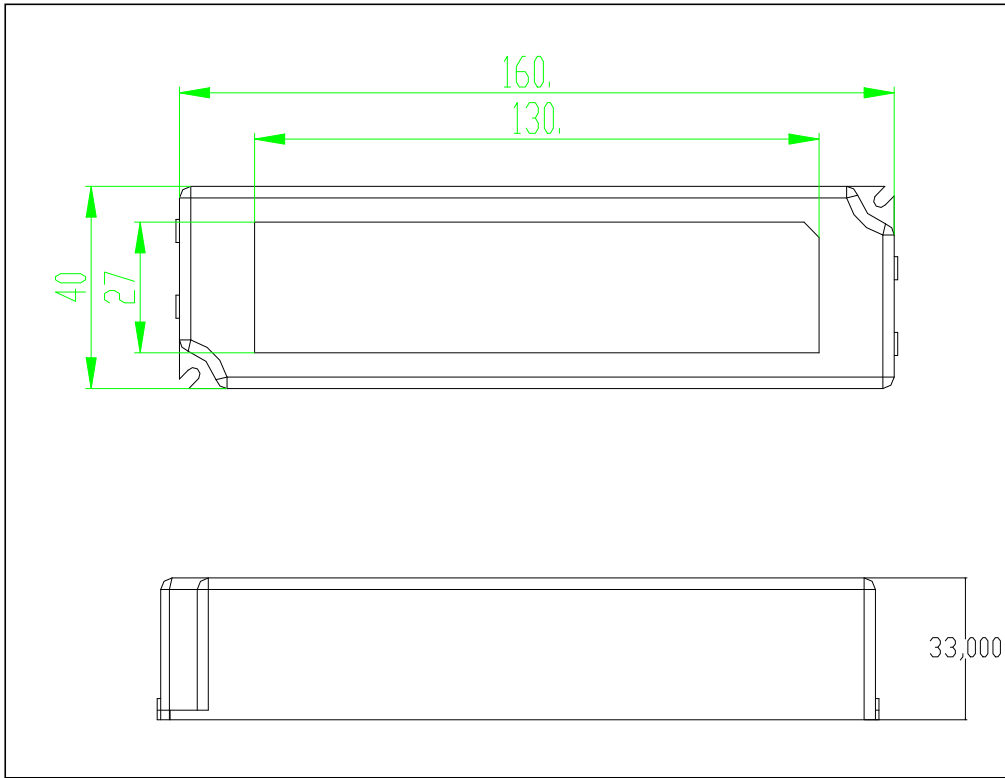
■Features

- .Over-load,Over-voltage,Over-temperature
- .cooling by free air convection
- .100% full load burn-in test
- .No-load consumption <1.2W
- .Withstand 300VAC surge input for 5s
- .Working temperature up to 60℃
- .5G vibration tested
- .High efficiency, long life span,high reliability
- .3 years warranty

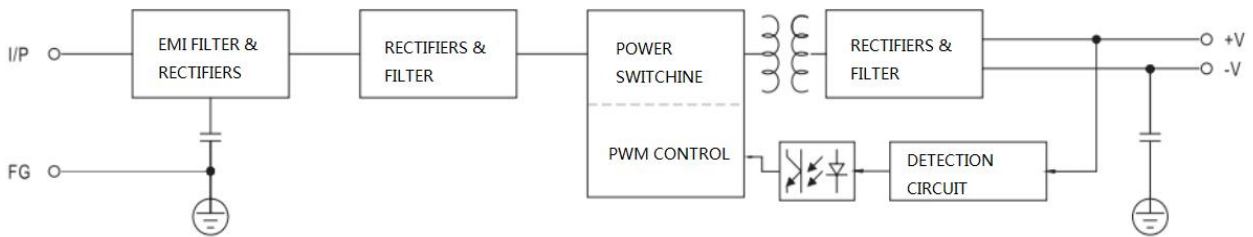
电气规格

Product No.		PWP-60-12	PWP-60-24
Output	DC voltage	12V	24V
	Rated Current	5A	2.5A
	Current Range	0-5A	0-2.5A
	Rated Power	60W	60W
	Ripple and Noise(Max)Note.2	220mVp-p	250mVp-p
	Voltage adjustment	11.6-12.4v	23.3-24.4V
	Voltage tolerance Note3	±3%	±3%
	Linear Regulation Note4	±0.5%	±0.5%
	Load Regulation Note5	±2%	0.015
	Setup and rise time	1000ms,30ms/230VAC 1000ms,30ms/110V	
Hold up time (Typ)	50ms/230VAC 10ms/115AC		
Input	Voltage range	110-264VAC	
	Frequency range	47-63HZ	
	Efficiency (Typ)	82%	84%
	AC current (Typ)	0.82A/110V 0.52A/220V	
	Surge (Inrush) current (Typ)	Cold start: 65A/230VAC	
	Leakage Current	<2mA/240VAC	
Protection	Overload	>105% rated output power Protection type: Hiccup mode, recovers automatically after fault condition is removed	
	Over voltage	13.8V-16V	28V-32V
	Over temperature	Overheat protection starts when temperature in transistor over 140℃	
		Recovers automatically after temperature is normal.	
Environment	Working temp.	-20~+60℃	
	Working humidity	20~90% RH, Non-condensing	
	Storage temp & hmdty	-40~+70℃	
	Temp. coefficient	±0.03%/℃ (0~50℃)	
	Vibration proof	10~500HZ,5G 10min/1 cycle, period for 60min. each along X、Y、Z axes	
Safety reg. & EMC (Note.6)	Safety regulation	GB195110.1-2004/IEC61347-1:2003 CE(EMC+LVD)	
	Voltage proof	I/P-O:1.5KVAC I/P-FG:1.5KVAC O/P-FG:0.5KVAC	
	Isolation resistance	I/P-O/P, I/P-FG,O/P-FG:100M Ohms/500VDC/25℃/70% RH	
	EMC irradiation	EN 55015:2013+A1:2015; EN61547:2009	
	EMC disturbance proof	EN 61000-3-2:2014; EN 61000-3-3:2013	
Others	Dimensions	160*41*32(L*W*H)	
	Packing	0.38Kg	
Remark	1. Unless specially indicated, all data are taken under 230VAC input, rated load and 25℃ environment temp.		
	2.Ripple and noise: measured with a 12" double ripple cord connected in parallel with a 0.1μF and a 47 μF capacitor on 20MHZ		
	3.Tolerance(Accuracy): including preset errors, linear adjustment rate and load adjustment rate.		
	4.Linear adjustment: taken under rated load from low voltage to high voltage.		
	5.Load adjustment: taken under 0~100% of rated load.		
	6. Power supply is taken as part of the whole system, and needs to be confirmed with terminal instruments for EMC.		

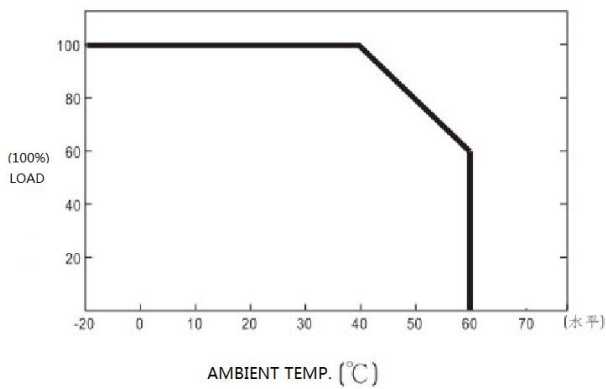
■ Appearance



■ Frame diagram



■ Derating curve



■ Static Characteristics

